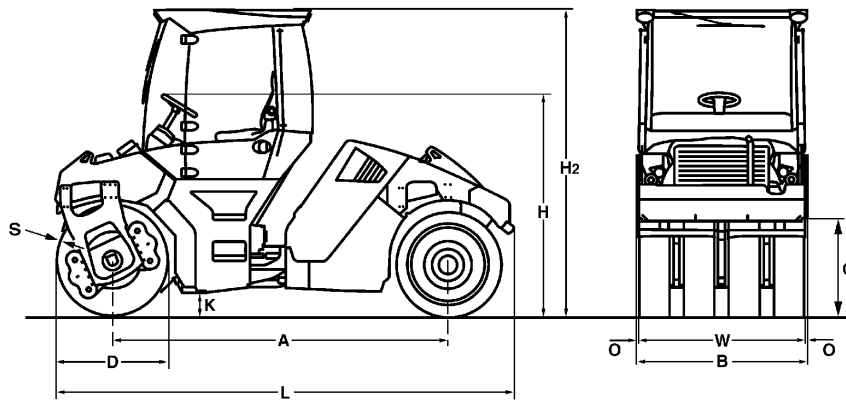


TECHNICAL DATA

COMBINATION ROLLER

BW 151 AC - 50, BW 161 AC - 50





Dimensions in mm

| | A | B | C | D | H | H2 | K | L | O | S | W |
|-----------------------|----------|----------|----------|----------|----------|-----------|----------|----------|----------|----------|----------|
| BW 151 AC - 50 | 3300 | 1844 | 730 | 1100 | 2240 | 3000 | 250 | 4400 | 82 | 16 | 1680 |
| BW 161 AC - 50 | 3620 | 1836 | 670 | 1220 | 2315 | 3050 | 250 | 4840 | 78 | 17 | 1680 |

Shipping dimensions in m3

BW 151 AC - 50
BW 161 AC - 50

without ROPS

18,174
 20,572

with ROPS

24,341
 27,103

| Machine type | Compaction output (t/h) at different asphalt layer thicknesses | | |
|---------------------|---|---------------|-----------------|
| | 2-4 cm | 6-8 cm | 10-14 cm |
| BW 151 AC - 50 | 40-50 | 60-120 | 80-130 |
| BW 161 AC - 50 | 40-80 | 100-180 | 140-200 |

Technical Data**BOMAG
BW 151 AC - 50****BOMAG
BW 161 AC - 50****Weights**

| | | | |
|---|-------|-------|--------|
| Operating weight CECE w. ROPS-cabin | kg | 7.500 | 9.700 |
| Static linear load CECE | kg/cm | 23,2 | 30,4 |
| Axle load, drum CECE | kg | 3.900 | 5.100 |
| Axle load, wheels CECE | kg | 3.600 | 4.600 |
| Wheel load CECE | kg | 900 | 1.150 |
| Grossweight | kg | 8.500 | 11.200 |

Dimensions

| | | | |
|-------------------------------------|----|-------|-------|
| Track radius, inner | mm | 4.390 | 4.900 |
| Length (without towing hitch) | mm | 4.400 | 4.840 |

Driving Characteristics

| | | | |
|---|------|---------|---------|
| Max. travel speed | km/h | 0- 11,0 | 0- 12,0 |
| Max. gradeability without/with vibr. | % | 40/30 | 35/30 |

Drive

| | | | |
|------------------------------|-------|---------------------|------------------|
| Engine manufacturer | | Kubota | Deutz |
| Type | | V 3307 DI-T | BF4M 2012 C |
| Emission stage | | Stage IIIa / TIER4i | Stage II / TIER2 |
| Cooling | | Liquid | Liquid |
| Number of cylinders | | 4 | 4 |
| Performance ISO 14396 | kW | 55,4 | 103,0 |
| Performance SAE J 1995 | hp | 74,3 | 138,0 |
| Speed | min-1 | 2.200 | 2.500 |

Drums and Tyres

| | | | |
|-----------------------|----|---------------|---------------|
| Drum width | mm | 1.680 | 1.680 |
| Number of tyres | | 4 | 4 |
| Tyre size | | 11,00-20 18PR | 11,00-20 18PR |

Brakes

| | | | |
|---------------------|--|------------|------------|
| Service brake | | hydrost. | hydrost. |
| Parking brake | | multi disc | multi disc |

Steering

| | | | |
|-----------------------|--|--------------|--------------|
| Steering system | | oscil.artic. | oscil.artic. |
|-----------------------|--|--------------|--------------|

Exciter system

| | | | |
|-----------------------------|----|-----------|-----------|
| Vibrating drum | | front | front |
| Autom. vibr. shut off | | standard | standard |
| Frequency | Hz | 45/55 | 40/55 |
| Amplitude | mm | 0,68/0,27 | 0,87/0,44 |
| Centrifugal force | kN | 75/45 | 95/90 |

Capacities

| | | | |
|----------------|---|-------|-------|
| Fuel | l | 125,0 | 145,0 |
| Water | l | 600,0 | 750,0 |
| Emulsion | l | 45,0 | 45,0 |

Technical modifications reserved. Machines may be shown with options.

Standard Equipment

- 2 amplitudes / 2 frequencies
- Autom. vibration operation
- Driver's seat, slewable (-15/+75°)
laterally slidable with steering wheel
- V-belt protection
- Pressure sprinkling system with 3 pumps
(Water/Emulsion)
- Back-up alarm
- Battery disconnect switch
- Emergency stop button
- Folding scrapers

Optional Equipment

- ROPS cabin with seat belts
+ heating, Ventilation
+ 4 Working head lights
- ROPS cabin with air conditioning
- BCM-Documentation system
- Rotary beacon
- 2 LED-lights for cabin roof (flatbeam)
- Edge cutter
- ROPS/FOPS with safety belt
- Asphalt temperature display
- Frequency 70Hz
- Thermal aprons
- BOMAG TELEMATIC START
- Crab-walk to both sides (170mm)
- ECONOMIZER
- Edge cutter

